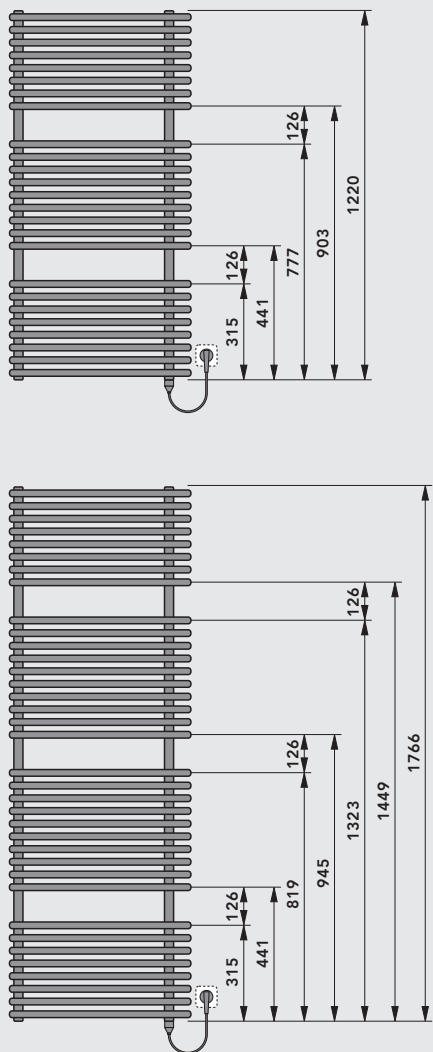
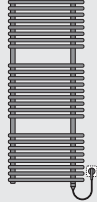
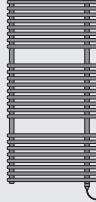



Vertical dimensions [mm]



Technical data, product family

Nominal height (overall height)	Diagram scale M 1:50		Overall length [mm]	Nomination power ⁽¹⁾ [Watts]		Nomination voltage [V]	Protection mode
	500	600		A	B		
1200 (1220)			500	400	300	AC 230	IP 24
				600	400		
1800 (1766)			600	900	600	AC 230	IP 24

⁽¹⁾ At 60 °C

Description:

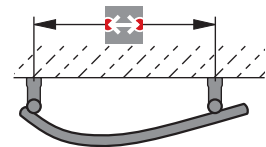
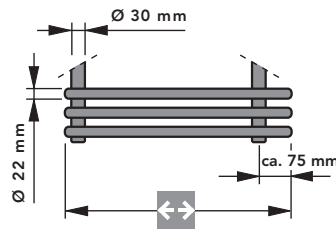
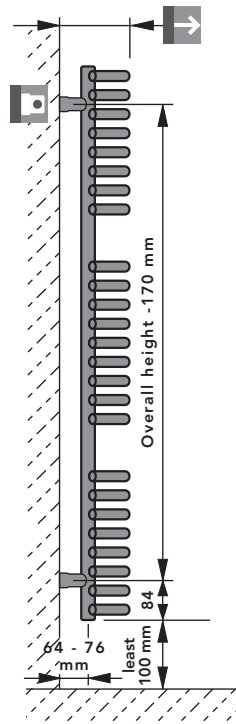
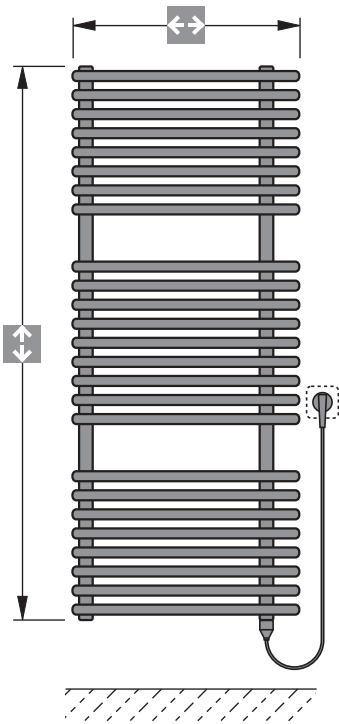
With their built-in electric heating, the electric radiators of the FULDA-E family are elegant Design and bathroom radiators.

Self-regulation effect – the temperature-dependent PTC heating element automatically controls the temperature of the heat-transfer liquid by modifying its electrical resistance.

Basic standard accessories (included):

- a wall mounting set matching the radiator colour
- fitting aid
- instruction sheet

RAL 9016 Traffic White (See E-heating element output category A)	Various RAL and metallic colours (See E-heating element output category A)	Sanitary ware Colours (See E-heating element output category A)	Chrome-plated (See E-heating element output category B)	Gold-plated (See E-heating element output category B)
Item no.	Item no.	Item no.	Item no.	Item no.
DGEEB1205A DGEEB1206A	DGEEF1205A DGEEF1206A	DGEES1205A DGEES1206A	DGEEC1205A DGEEC1206A	DGEEM1205A DGEEM1206A
DGEEB1806A	DGEEF1806A	DGEES1806A	DGEEC1806A	DGEEM1806A



➔ Overall depth (incl. wall clearance)
for an overall length of 500 146-158 mm
for an overall length of 600 155-167 mm

↔ for an overall length of 500 400 mm
for an overall length of 600 495 mm